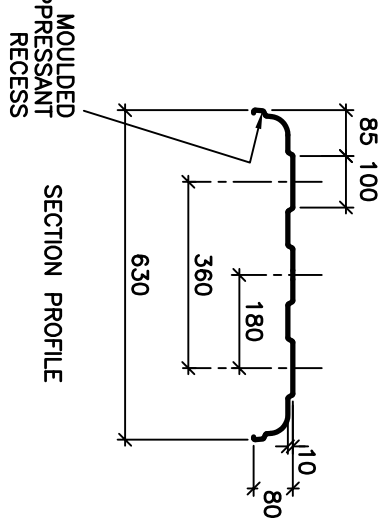
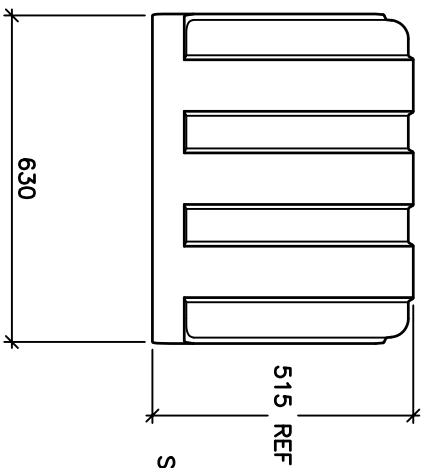
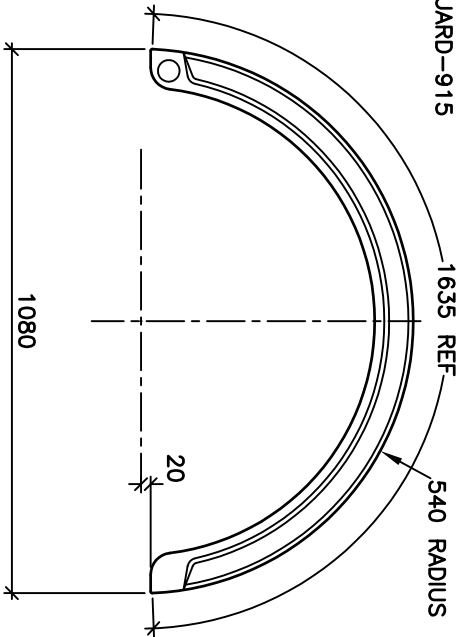


PLP630

FULL LOW PROFILE MUDGUARD

GUARD-915



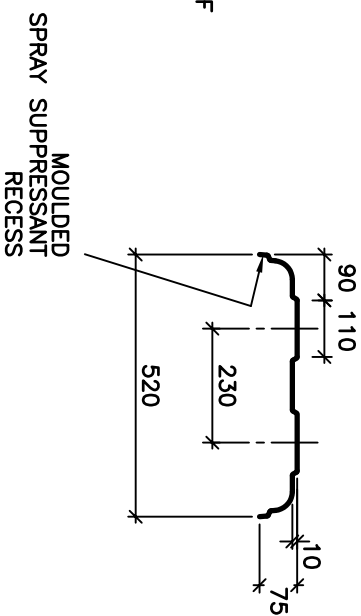
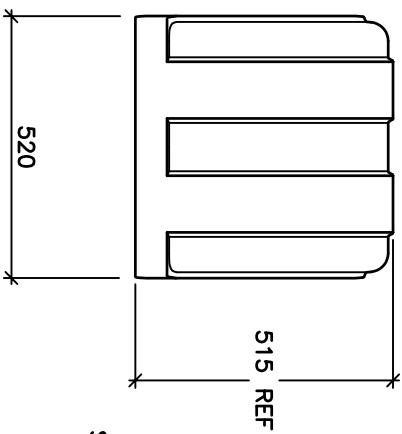
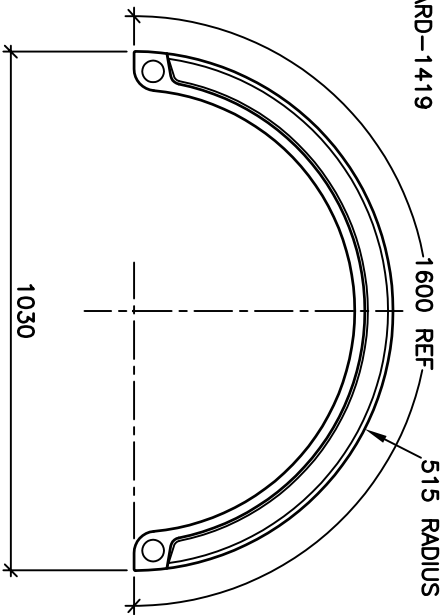
SPRAY SUPPRESSANT LENGTH-1300mm

MATERIAL-MEDIUM DENSITY, U.V. STABILIZED, HIGH STRESS CRACK RESISTANT, LINEAR THERMOPLASTIC 'POLYETHYLENE'.
THICKNESS-4.5mm NOMINAL.
COLOUR-A RANGE OF SOLID COLOURS.

P520

FULL LIGHT TRUCK MUDGUARD

GUARD-1419



SECTION PROFILE

SPRAY SUPPRESSANT LENGTH-1250mm

WEIGHT-3.2kg



SCALE	N.T.S.	DRAWING No.
DRAWN	J.P.M	
DATE	01.6.98	REV
		C
A4-1563		