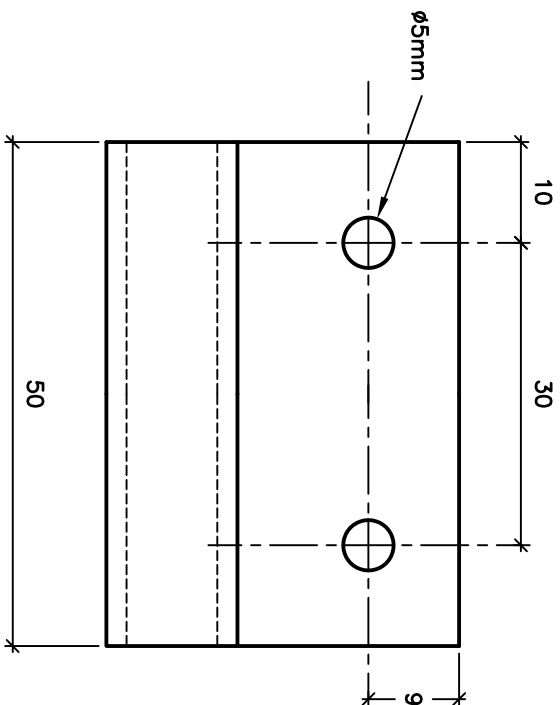
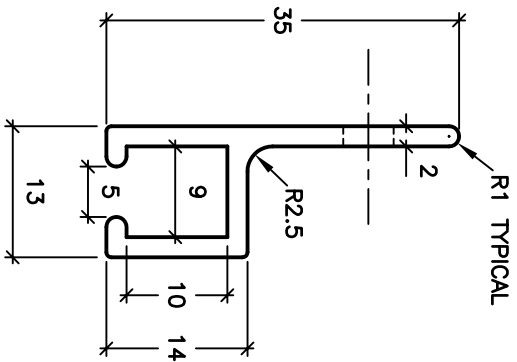


CLIP-FA-2

'F' TYPE SPRAY SUPPRESSANT CLIP

CLIP-648

WEIGHT-16.0grams



CLIP-HA-2

'H' TYPE SPRAY SUPPRESSANT CLIP

CLIP-647

WEIGHT-16.0 grams

SPRAY SUPPRESSANT MOUNTING CLIPS
 MATERIAL-ALUMINIUM EXTRUSION, GRADE 6060 T4
 H EXTRUSION. TRACK-H-935, F EXTRUSION. TRACK-F-936

DYNAPLAS PTY LTD

SPRAY SUPPRESSANT CLIPS

**CLIP-FA-2
 CLIP-HA-2**



SCALE	N.T.S.
DRAWN	B J M
DATE	7.9.98

DRAWING No.	
REV	D
A4-1469	