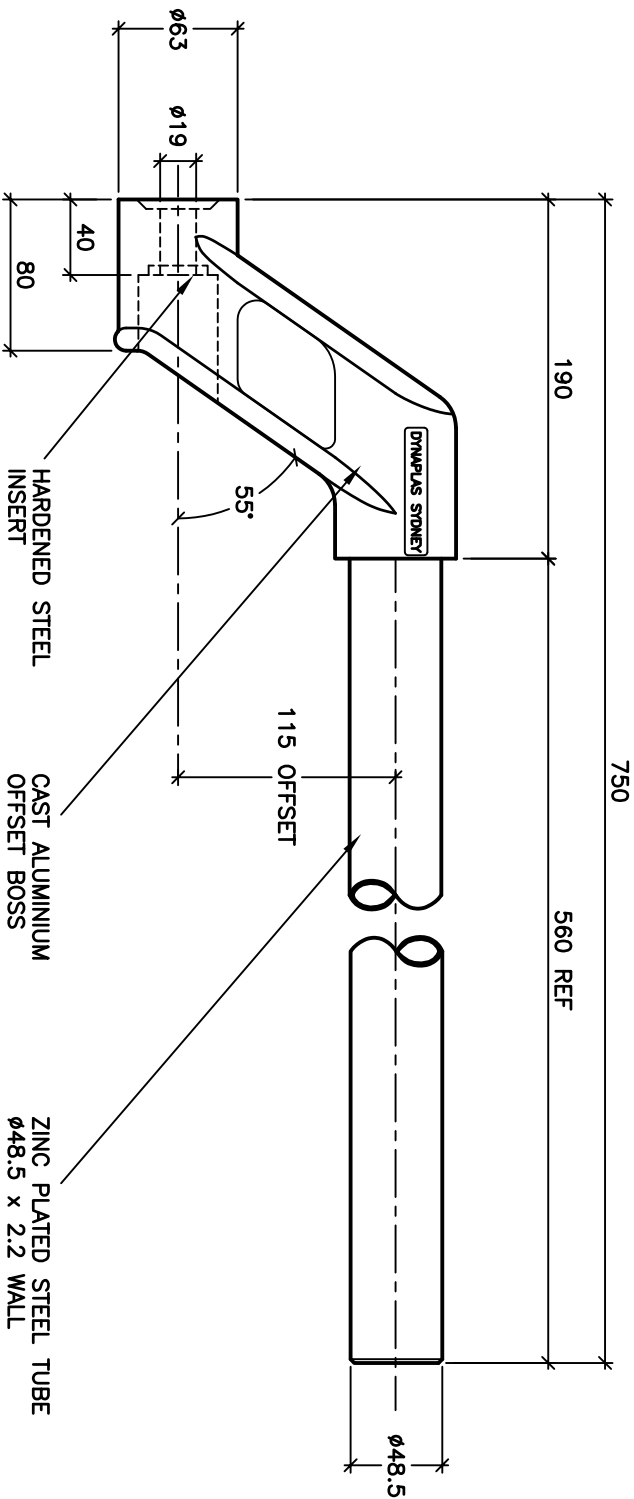
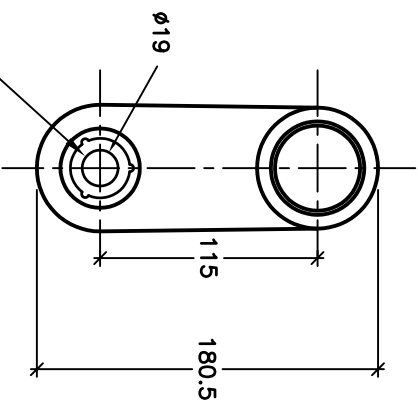


PLAN

CM-0A  
OFFSET CHASSIS MOUNT TUBE  
ALUMINIUM BOSS




PROFILE



END VIEW

OFFSET CHASSIS MOUNT TUBE

WEIGHT - 3.10kg

Page 34		DYNAPLAS PTY LTD		OFFSET CHASSIS MOUNT TUBE		CM-0A			
SCALE	N.T.S.	DRAWN	B J M	DATE	12.9.01	REV	E	DRAWING No. <b>A4-684</b>	